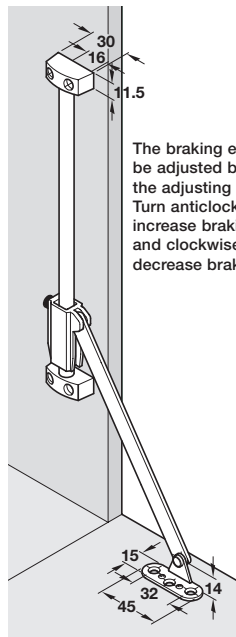
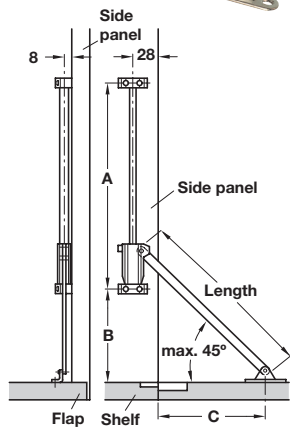


DROP DOWN FLAP STAYS

Stopmatic flap stay



The braking effect can be adjusted by turning the adjusting screw. Turn anticlockwise to increase braking effect and clockwise to decrease braking effect.



- > With braking mechanism
- > Screw mounting to side panel and to flap
- > Without magnetic catch
- > Right handed
- > Nickel-plated steel flap stay with plastic housing
- > Order fixing screws separately
- > Order qty: Multiples of 2 pcs

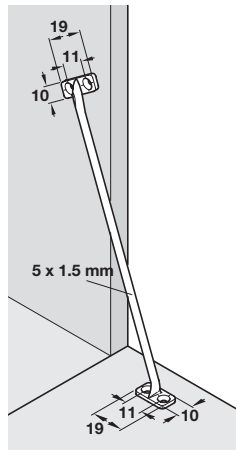
Length	Internal cabinet height	Distance A	Distance B
200 mm	350 to 450 mm	225 mm	125 mm
250 mm	450 to 550 mm	275 mm	150 mm
300 mm	550 to 650 mm	325 mm	175 mm

Determine distance C by trial mounting



Length	Brown	White
200 mm	365.40.100	365.40.708
250 mm	365.40.128	365.40.726
300 mm	365.40.146	365.40.744

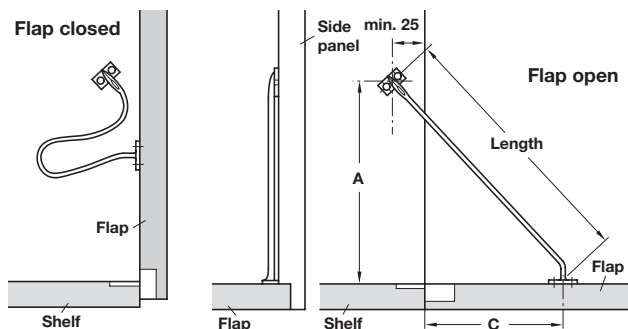
Flexible flap stay



- > For light-weight flaps
- > Screw mounting to side panel and flap
- > Noise and vibration free
- > Unhanded design
- > Suitable for use as a door restraint
- > Plastic flap stays
- > Order fixing screws separately
- > Order qty: Multiples of 10 pcs

Length	Internal cabinet height	Distance A
200 mm	155 mm	127 mm

Determine distance C by trial mounting



Length	White	Brown
200 mm	366.73.702	366.73.104

DRAWER SYSTEMS, STAYS AND HINGES 2015, © Häfele U.K. Ltd 2015. Dimensional data not binding. We reserve the right to alter specifications without notice.